

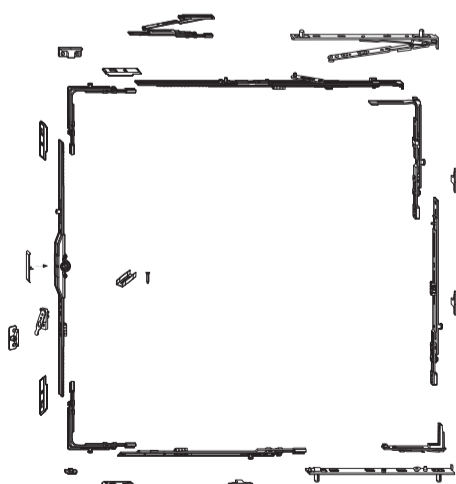
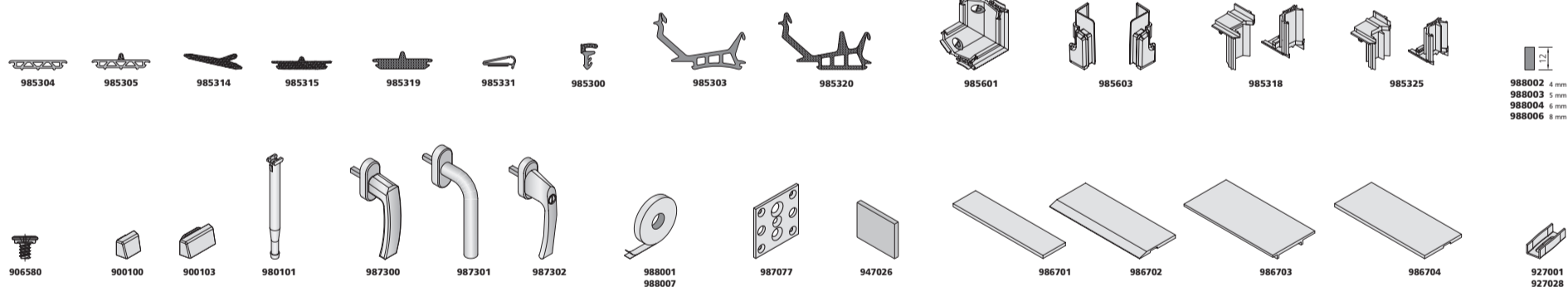
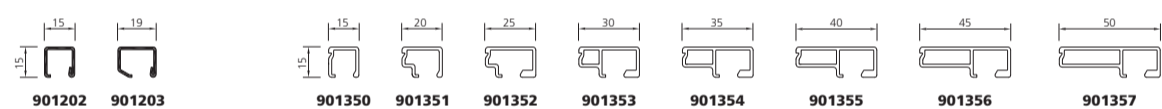
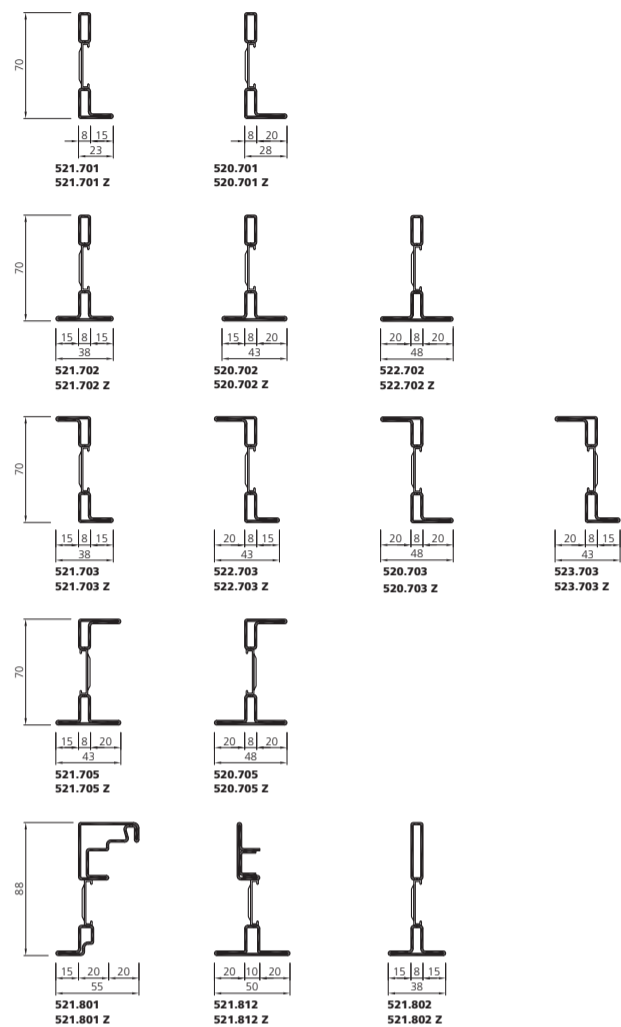
forsterunico^{®XS}
forsterunico^{®XSHI}



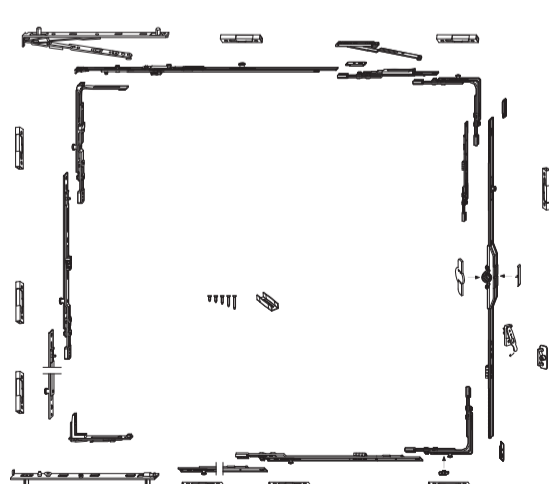
$U_w > 0.8 \text{ W/(m}^2\text{K)}$



RC 2



987101 R - 987166 R
 987901 R - 987956 R



987113R RC2 - 987166R RC2
 987911R RC2 - 987956R RC2

